

\* 所有原料材质, 生产制程, 电镀必须符合ROHS要求

## Specification

### MATERIAL:

Insulator: High Temperature Thermoplastic,  
UL 94V-0.

Contact: Copper Alloy

### PLATING:

Contact: Plated 50u'' Ni Overall

Plated Au Selective Contact Area

Plated 100u'' Sn Over Ni On Solder Area

Shell: Plated 50u'' Ni Overall

Plated 1u''Au Selective Contact Area

### Electrical:

Current Rating :0.5mA AC/DC max.

Voltage Rating :125V AC/DC

Ambient Temperature Range :-25° C~+85° C

Storage Temperature Range :-25° C~+85° C

Ambient Humidity Range :95% R.H. Max.

Contact Resistance:100mΩmax.

Insulation Resistance:1000MΩmin./500VDC

Mating Cycles:10,000 Insertions

SMT peak temperature: 260±5° C

### PART NUMBER:

001 1 X A A X 09 X

A: Stainless steel

G:功能區鍍金1u'', 錫腳Gold Flash (符合ROHS製程)

H:功能區鍍金3u'', 錫腳Gold Flash (符合ROHS製程)

J:功能區鍍金5u'', 錫腳Gold Flash (符合ROHS製程)

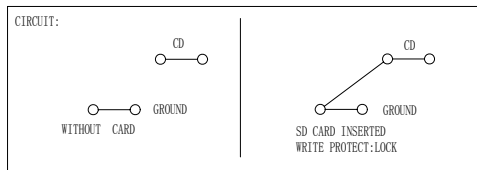
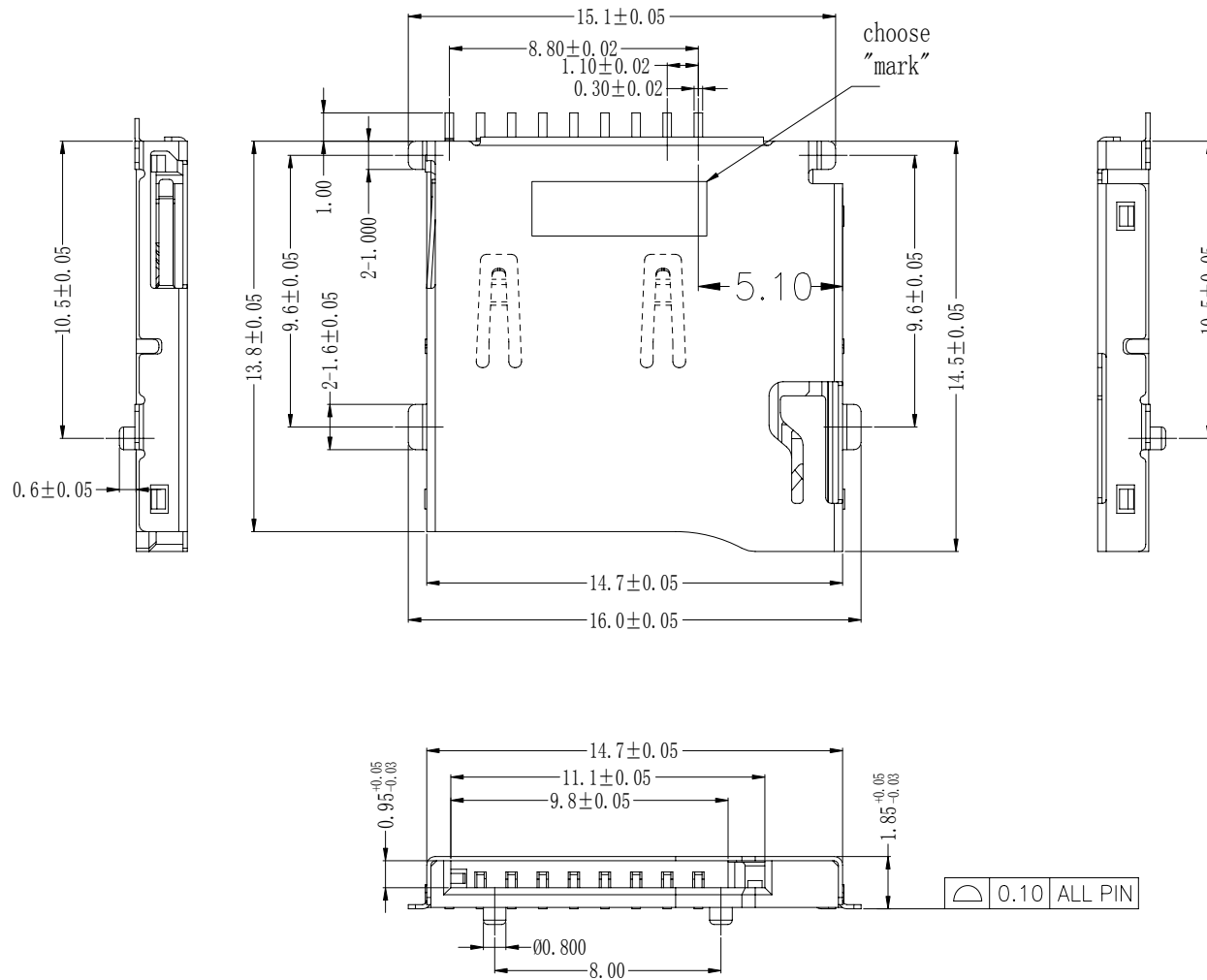
S:功能區域鍍金1u'' 焊接腳純霧錫100u'' (符合ROHS製程)

A: 外壳表面无压片

B: 外壳表面有压片

C: 外壳表面无压片, XNT- LOGO

D: 外壳表面无压片, 端子焊脚加长



深圳市鑫南天科技有限公司  
Shen zhen Xin Nan Tian Technology Co., Ltd

DIMENSIONS INIT: mm

UNLESS OTHERWISE SPECIFIABLE

DIMENSION TOLERANCE

X.X: ± 0.38

X.XX: ± 0.25

X.XXX: ± 0.10

ANGULAR: ± 1°

PRODUCT NAME : T-FLASH 卡座PUSH/PUSH脚加长

DRAWING: COCO

DATE: 2008/04/10

PRODUCT NO. : 0011DAAX09X

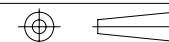
CHECK: JANY

DATE: 2009/04/11

DRAWING NO. : NT-001

APPROVED: JEFF

DATE: 2009/04/11



SCALE: 1:1

DWG ID: C D

REV.: A

PAGE: 1 of 2

REVISION NO.	ECR NO.	DESCRIPTION	MARK	DATE
1				
2				
3				

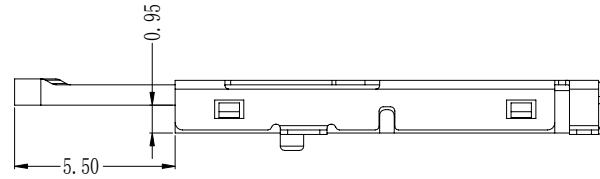
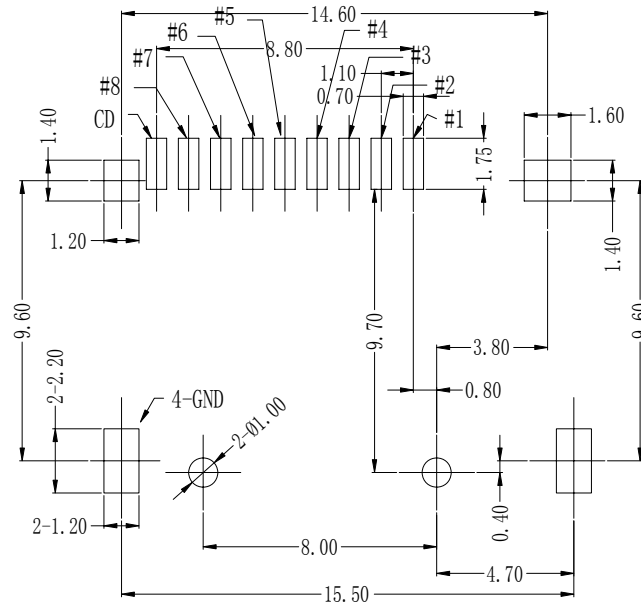
PRODUCT NAME	DRAWING	DATE	
T-FLASH 卡座PUSH/PUSH脚加长	COCO	2008/04/10	
PRODUCT NO.	CHECK	DATE	
0011DAAX09X	JANY	2009/04/11	
DRAWING NO.	APPROVED	DATE	
NT-001	JEFF	2009/04/11	
SCALE	DWG ID	REV.	PAGE
1:1	C D	A	1 of 2

\* 所有原料材质, 生产制程, 电镀必须符合ROHS要求

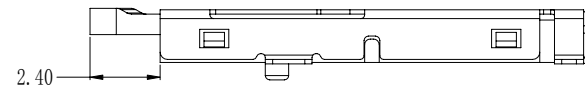
RECOMMEND PCB LAYOUT:

(Unit:mm .X ± 0.15 .XX ± 0.05 .XXX ± 0.02)

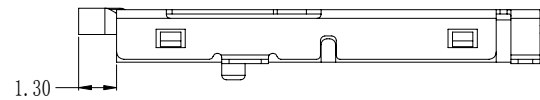
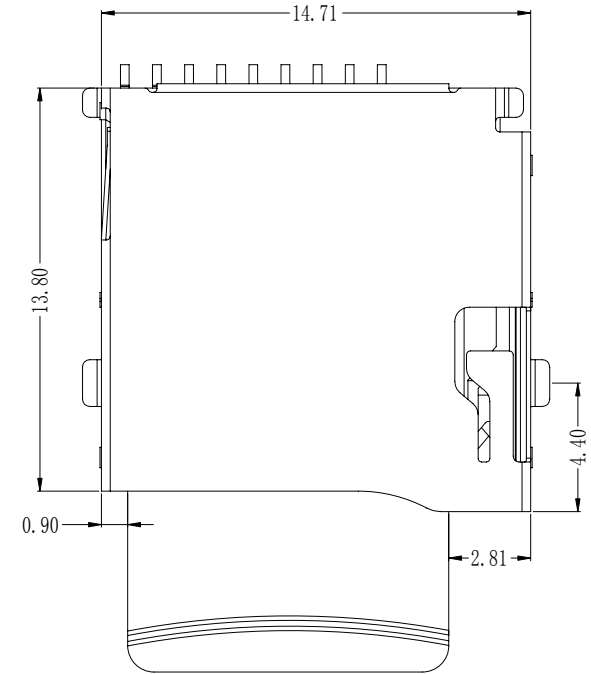
T-FLASH?|b0|i0|c0|p54; Card Insert Drawing:



Micro SD Card -Un Lock

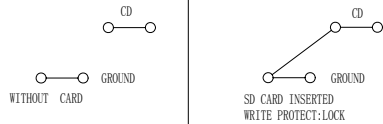


Micro SD Card -Lock



Micro SD Card -Push

CIRCUIT:



PIN NO.	PIN ASSIGNMENT
1#	DAT2 信号
2#	CD/DAT3 信号
3#	CMD 数据输入
4#	VDD 电压/电
5#	CLK 脉冲
6#	VSS 接地
7#	DAT0 信号
8#	DAT1 信号
9#	CD 侦测端



深圳市鑫南天科技有限公司  
Shen Zhen Xin Nan Tian Technology Co., Ltd

DIMENSIONS UNIT: mm  
UNLESS OTHERWISE SPECIFIABLE  
DIMENSION TOLERANCE  
X.X: ± 0.38  
X.XX: ± 0.25  
X.XXX: ± 0.10  
ANGULAR: ± 1°

PRODUCT NAME : T-FLASH 卡座PUSH/PUSH脚加长	DRAWING: COCO	DATE: 2008/04/10
PRODUCT NO. : 0011DAAX09X	CHECK: JANY	DATE: 2009/04/11
DRAWING NO. : NT-001	APPROVED: JEFF	DATE: 2009/04/11
SCALE: 1:1	DWG ID: C D	REV. : A
		PAGE: 2 OF 2

REVISION NO.	ECR NO.	DESCRIPTION	MARK	DATE
1				
2				
3				