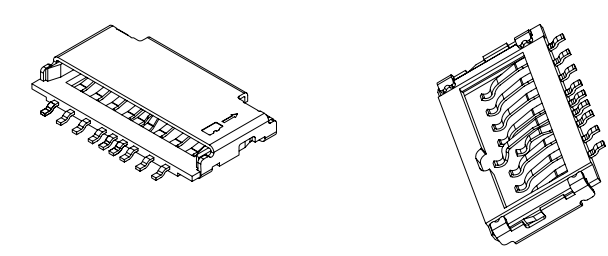
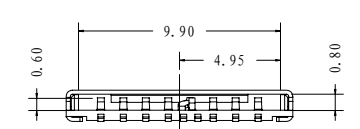
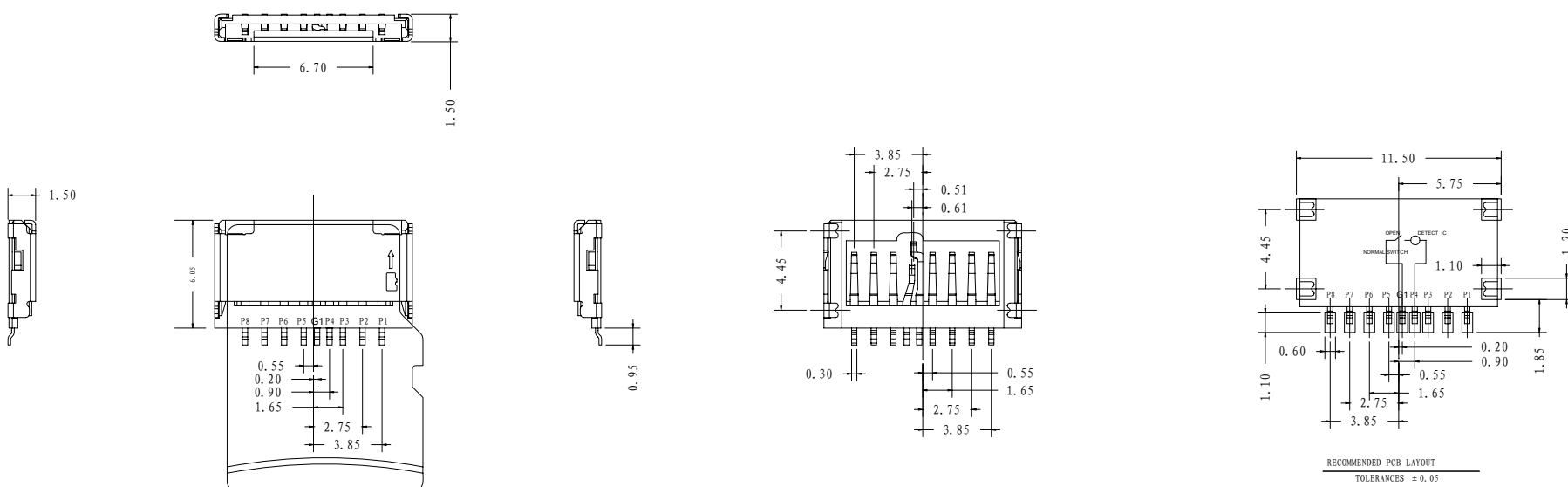


* 所有原料材质, 生产制程, 电镀必须符合ROHS要求



NOTE:

MATERIAL:

- 1. HOUSING: HGH THERMOPLASTIC UL 94-V0 BLACK
- 2. SIGNAL TERMINAL: PHOSPHOR BRONZE T=0.12MM
- 3. SHELL: STAINLESS STEEL T=0.20MM

FINISH:

- 1. SIGNAL TERMINAL: 1.25-6.25 MICRON NICKEL MIN UNDER-PLATED, GOLD FLASH PLATD ON CONTACT AREA
- 2. SHELL: 1.25 MICRON MIN NICKEL PLATING OVER ALL GOLD FLASH PLATED ON SOLDER AREA



深圳市鑫南天科技有限公司

Shen Zhen Xin Nan Tian Technology Co., Ltd

DIMENSIONS INIT: mm UNLESS OTHERWISE SPECIFIABLE DIMENSION TOLERANCE X.X: ± 0.25 X.XX: ± 0.2 X.XXX: ± 0.1 ANGULAR: ± 1°	PRODUCT NAME : TF push pull type		DRAWING: COCO		DATE: 2008/08/08	
	PRODUCT NO. : XNTTF0915004X		CHECK: JANY		DATE: 2008/08/08	
	DRAWING NO. : XNT-0092		APPROVED: JEFF		DATE: 2008/08/08	
			SCALE: 1:1	DWG ID: P D	REV.: A	PAGE: 1 of 1

REVISION NO.	ECR NO.	DESCRIPTION	MARK	DATE
1				
2				
3				