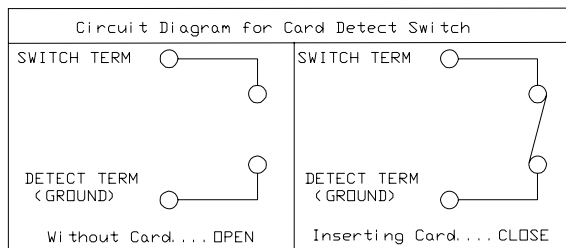


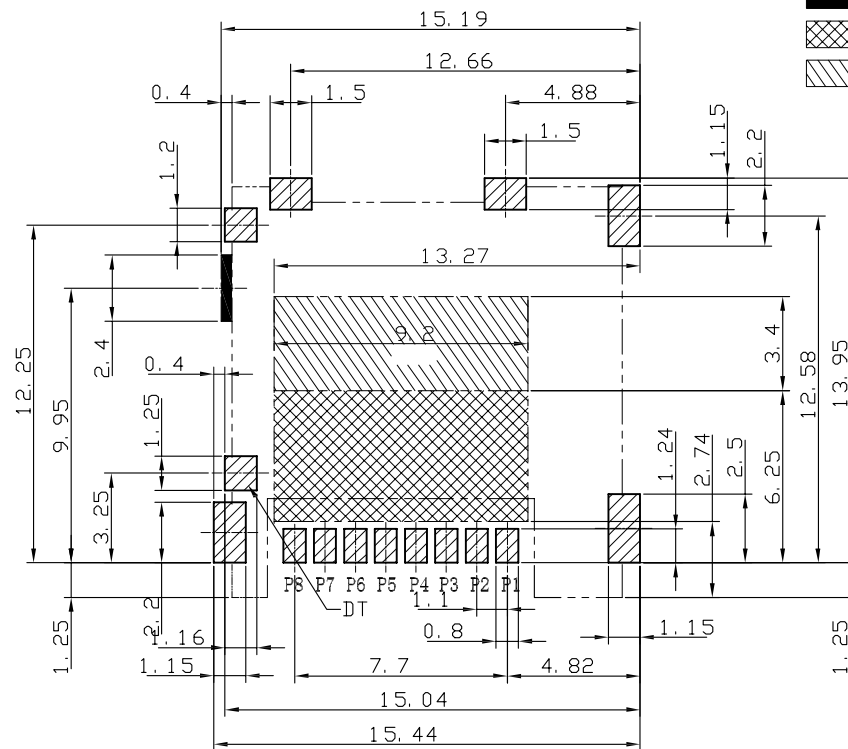
PART NO.:
XNT22-AP401-**

01: HOUSING IS BLACK 42: SELECTIVE 1U" Au ON MATING AREA,
SOLDER TAIL 160U" TIN PLATED



		深圳市鑫南天科技有限公司 Shenzhen XinNanTian Technology Co., Ltd			
		PRODUCT NAME : microSD connector 1.45H	DRAWING: COCO	DATE: 2016/01/15	
DIMENSIONS INIT: mm UNLESS OTHERWISE SPECIFIABLE		PRODUCT NO. : XNT22-AP401-42	CHECK: AG	DATE: 2016/01/15	
DIMENSION TOLERANCE X.X: ± 0.25 X.XX: ± 0.10 X.XXX: ± 0.10 ANGULAR: ± 1°		DRAWING NO. : XNT-026	APPROVED: JEFF	DATE: 2016/01/15	
				SCALE: NA	DWG ID: P D
				REV.: B	PAGE: 1 OF 2

B	XNT-ECR-14032	Cancel dimple on shell and use the latest frame	Coco	01/15-16
REVISION NO.	ECR NO.	DESCRIPTION	MARK	DATE



RECOMMENDED PCB PATTERN LAYOUT(TOP VIEW)

NOTES:

1. COPLANARITY SPEC. FOR ALL SOLDER TAIL AND SOLDER PAD IS 0.10mm
2. ELECTRIC CHARACTERISTICS:
 - 2-1. CURRENT RATING 0.5Amp. MAX
 - 2-2. VOLATAGE:100V DC MAX.
 - 2-3. LOW LEVEL CONATCT RESISTANCE100mΩ MAX.
 - 2-4. DIELECTRIC WITHSTANDING VOLTAGE: 500V AC MIN FOR 1 MINUTE.
 - 2-5. INSULATION RESISTANCE: (INITIAL)1000MΩ MIN. (FINAL) 100MΩ MIN.
3. MECHANICAL CHARACTERISTICS.
 - 3-1. DURABILITY:5000 CYCLES;
 - 3-2. OPERATING TEMP. RANGE:-25°C TO 85°C (INCLUDING TERMINAL TEMP. RISE)
 - 3-3. STORAGE TEMP.: -40°C TO 85°C
4. QUANTITY OF PRODCUTS: 1500PCS/REEL

PROHIBITED AREA
 SOLDERPROHIBITED AREA
 PATTERN PROHIBITED AREA

Pin No	Name	Type	DESCRIPTION
TERM1	DAT2	I/O/PP	Date Line[bit2]
TERM2	CD/DAT3	I/O/PP	Card Detect Date Line[bit3]
TERM3	CMD	PP	Command Response
TERM4	VDD	S	Supply Voltage
TERM5	CLK	I	Clock
TERM6	VSS	S	Supply Voltage Ground
TERM7	DAT0	I/O/PP	Date Line[bit0]
TERM8	DAT1	I/O/PP	Date Line[bit1]

PART NO.:

XNT22-AP401-**-**

01:HOUSING IS BLACK

42:SELECTIVE 1U" Au ON MATING AREA, SOLDER TAIL 160U" TIN PLATED

B	XNT-ECR-14032	Cancel dimple on shell and use the latest frame	Coco	01/15-16
REVISION NO.	ECR NO.	DESCRIPTION	MARK	DATE
1				
2				
3				

	深圳市鑫南天科技有限公司 Shenzhen XinNanTian Technology Co., Ltd				
	DIMENSIONS INIT: mm UNLESS OTHERWISE SPECIFIABLE	PRODUCT NAME : microSD connector 1.45H	DRAWING: COCO	DATE: 2016/01/15	
	DIMENSION TOLERANCE X.X: ± 0.25 X.XX: ± 0.10 X.XXX: ± 0.10 ANGULAR: ± 1°	PRODUCT NO. : XNT22-AP401-42	CHECK: AG	DATE: 2016/01/15	
		DRAWING NO. : XNT-026	APPROVED: JEFF	DATE: 2016/01/15	
		SCALE: NA	DWG ID: P D	REV.: B	PAGE: 2 OF 2