

REV.	ECN NUMBER	DESCRIPTION	DRAWING	DATE

SPECIFICATIONS

1)Electrical:

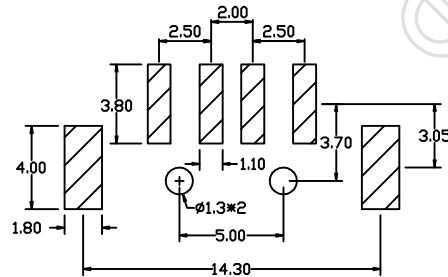
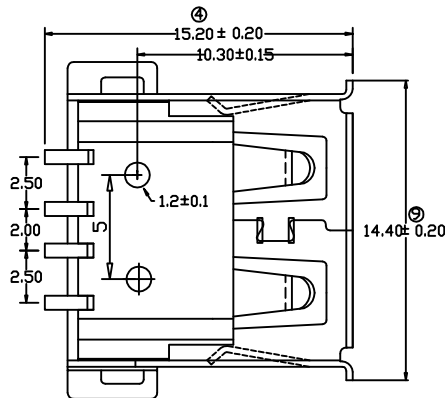
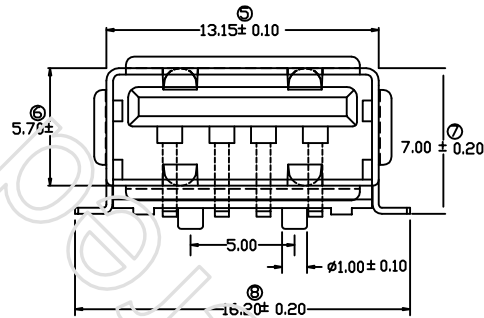
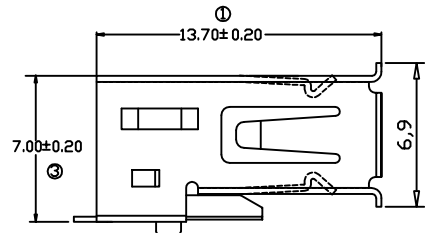
- 1.1 Contact Resistance: 30 mΩ Max
- 1.2 Insulation Resistance: 1000MΩ Min
- 1.3 Withstanding Voltage: 500V DC
- 1.4 Current rating 1.5AMP Max.
- 1.5 Total Mating Force: 3.57kg Max.
- 1.6 Total Unmating force: 0.7kg Min.
- 1.7temperature Range: ~-25° +75°

2)Material:

- 2.1 Housing: High temperature Plastics UL94V-0
- 2.2 SHELL: SPCC OR BRASS
- 2.3 Contact: Brass

3)Finishing:

- 3.1 plating: Au or Sn Over 100u" Ni
- 3.2 Crimp Terminal : Gold-plating
- 3.2 Shell: Nickel-plating



CUSTOMER DRAWING		TOLERANCE UNLESS OTHERWISE SPECIFIED		深圳市鑫南天科技有限公司			
		X ± 0.30	X* ± 4°				
		.X ± 0.25	.X* ± 4°				
		XX ± 0.20					
DRAWN	COCO	UNIT	mm	PART NO.	XNTUSB-A13670JK	DWG No.	
CHECKED	COCO	SCALE	1:1	TITLE	USBAF13.6 卷边无后包 /7.0高/大点/前贴后贴		
APPROVE		SHEET	1/1	PROJ.		SIZE	A4
DATE						REV.	A