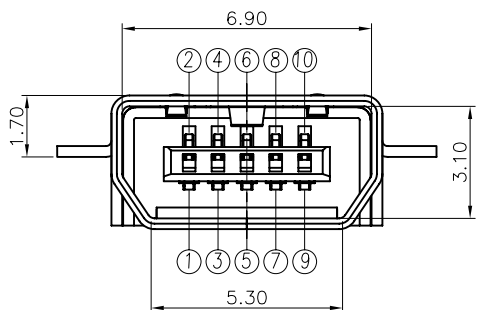
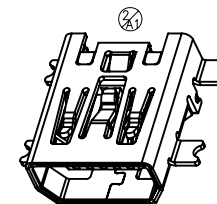
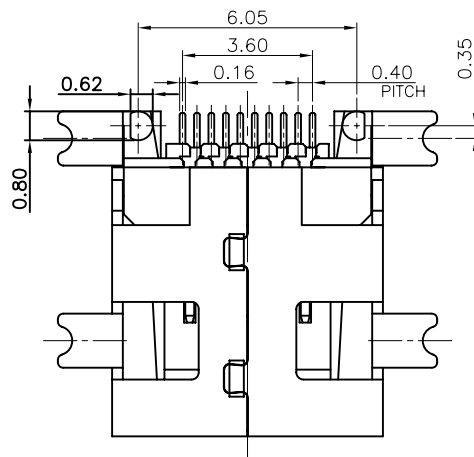
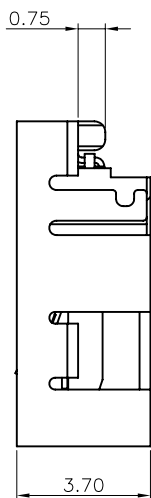
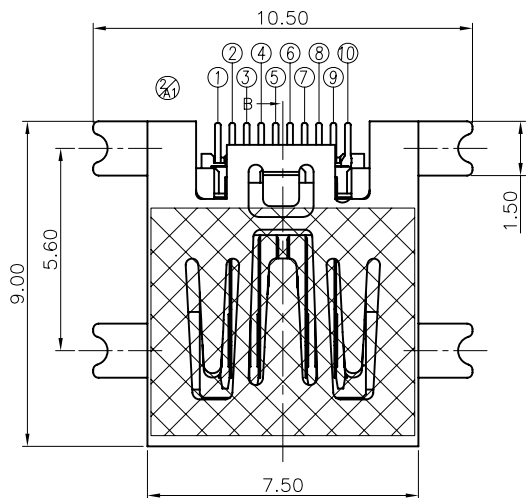
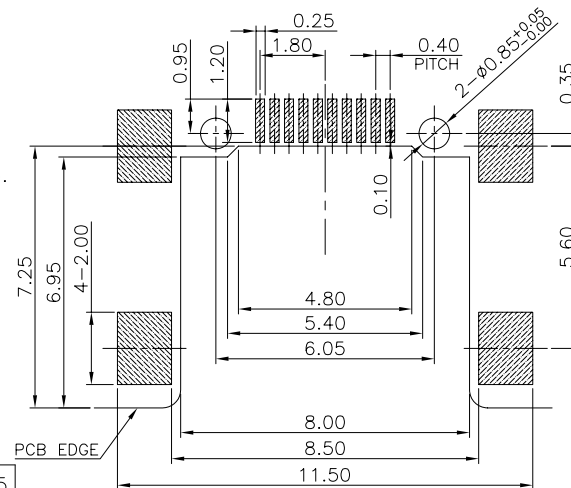


REV.	ECN NO.	LOCAS.	DESCRIPTION	DATE	DESIGN
A0			INITIAL RELEASE		
A1			新增端子镀全金15U与镀亮锡的两种规格，增加对应料号	11/11/15	S
A2			扣点结构变更	12/08/13	yu



NOTES:

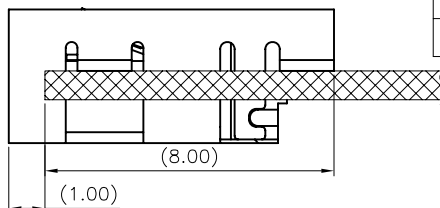
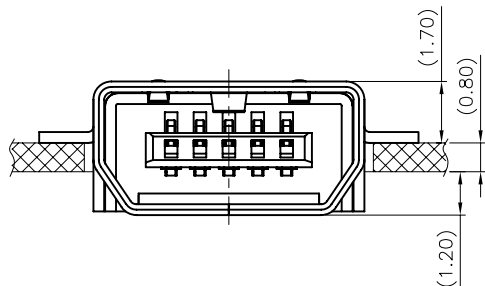
- MATERIAL:  
INSULATOR: HI-TEMP PLASTIC UL 94V-0; BLACK.  
CONTACT: COPPER ALLOY(T=0.15MM).  
SHELL: COPPER ALLOY OR STAINLESS STEEL (T=0.30MM).
- ELECTRICAL CHARACTERISTICS:  
CONTACT CURRENT RATING: 0.5 AMPERES.  
DIELECTRIC WITHSTANDING VOLTAGE: AC100V R.M.S.  
INSULATION RESISTANCE: 100 MΩ MINIMUM.  
CONTACT RESISTANCE: 50 MΩ MAXIMUM.
- ENVIRONMENTAL:  
OPERATING TEMPERATURE: -25°C~+65°C.
- ENVIRONMENTAL:  
MATING CYCLES:5000 INSERTIONS.



RECOMMENDED PCB LAYOUT  
TOLERANCE:±0.05

TABLE:

端子镀全金3U	MUB-AF010-075
端子镀半金亮锡	MUB-AF010-090
端子镀全金15U	MUB-AF010-092



DIM	TOL	DIM	TOL
X.	±0.50	X*	±5.0°
X.X	±0.35	X.X*	±4.0°
X.XX	±0.25	X.XX*	±3.0°
X.XXX	±0.15	X.XXX*	±2.0°

深圳市鑫南天科技有限公司  
Shenzhen XinNanTian Industrial Co.,Ltd

DRAW NO.		DATE	MATERIAL: SEE NOTES	MINI USB 10PIN AB TYPE. (Philips 沉板2.1mm)
DESIGN:	shi shu bo	12/08/13	FINISH: SEE NOTES	
CHECK:			P/N NO. SEE TABLE	
APPROVED			REV. A2	