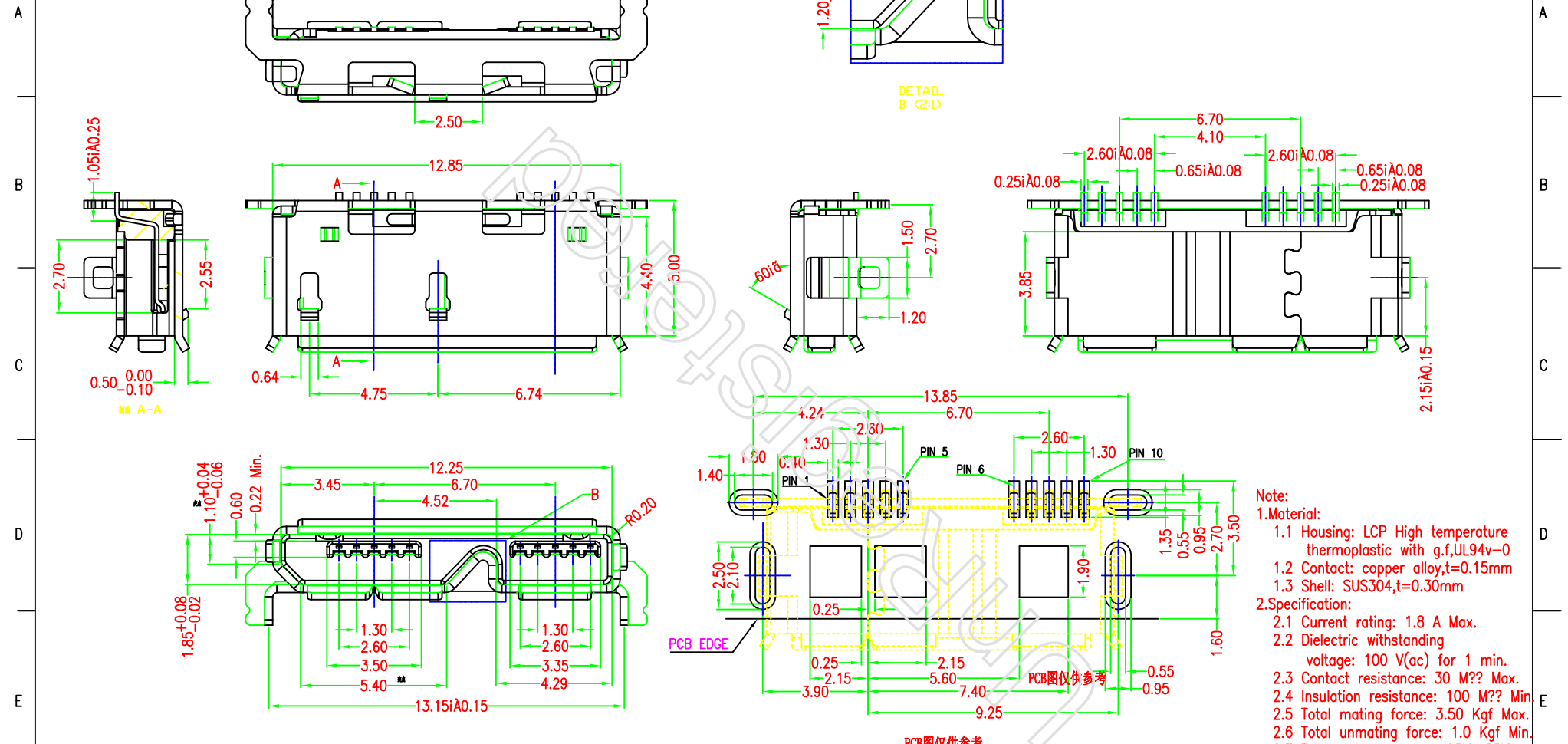


REV.	ECN NO	LOCATIONS	DESCRIPTION	DATE



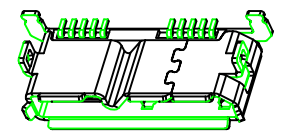
Note:

- Material:
 - Housing: LCP High temperature thermoplastic with g.f,UL94v-0
 - Contact: copper alloy,t=0.15mm
 - Shell: SUS304,t=0.30mm
- Specification:
 - Current rating: 1.8 A Max.
 - Dielectric withstanding voltage: 100 V(ac) for 1 min.
 - Contact resistance: 30 M Ω Max.
 - Insulation resistance: 100 M Ω Min.
 - Total mating force: 3.50 Kgf Max.
 - Total unmating force: 1.0 Kgf Min.
 - Temperature range: -25 $^{\circ}$ C~85 $^{\circ}$ C

A 01 S B 7 4 1 B 1-386

① ② ③ ④ ⑤ ⑥ ⑦ ⑧ ⑨ ⑩

- | | | | |
|--------|-----------------|--------|----------------------------------|
| ① 产品代号 | A: 品牌 | ⑥ 端子规格 | 4C519R-EH |
| ② 产品系列 | 01:micro usb 5p | ⑦ 主料规格 | 1:LCP |
| ③ 产品类别 | S: 形状 | ⑧ 主料颜色 | B: 黑色 |
| ④ 产品类型 | B: B TYPE | ⑨ 下脚类型 | 1:dip |
| ⑤ 壳料规格 | 7:SUS304R-1/2H | ⑩ 脚料规格 | 386:MICRO USB 10S B TYPE 3.0 DIP |



PART NO: A01SB741B1-386		MATERIAL: COCO		深圳市鑫南天科技有限公司	
MODEL NO: XX		FINISH: JANY			
UNIT: MM	SIZE: A4	COLOR: JEFF	TITLE: MICRO USB B TYPE 3.0 DIP四脚全插		
TOLERANCE UNSPECIFIED		DR: JEFF	DWG NO: A386		
.x	± 0.15	CHK:	REV: A		
.xx	± 0.10	APP:	SCALE: 5:1	DATE: 2014.03.19	
.xxx	± 0.05				
Ang.	$\pm 1^{\circ}$				