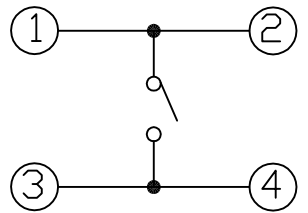
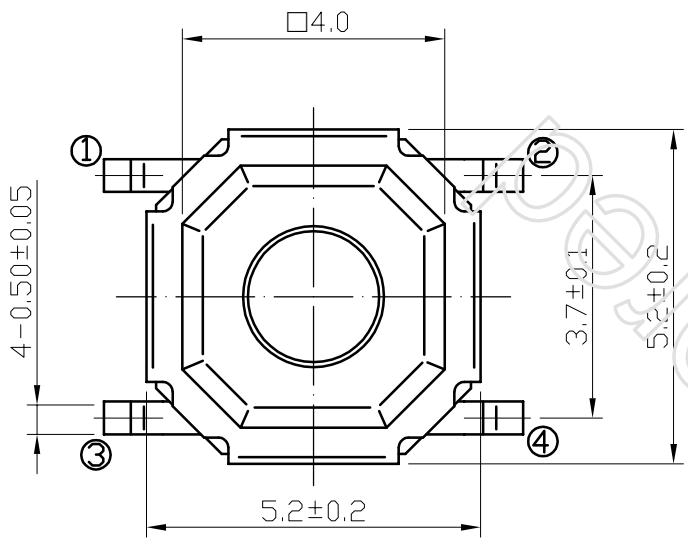
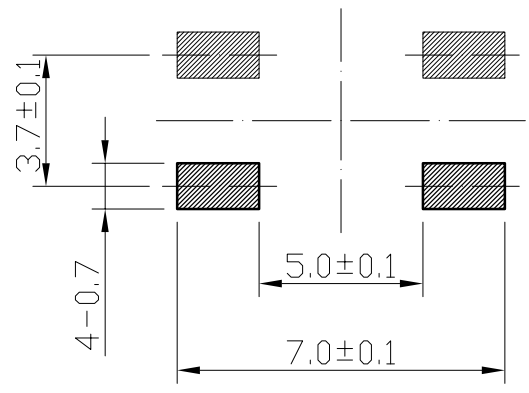


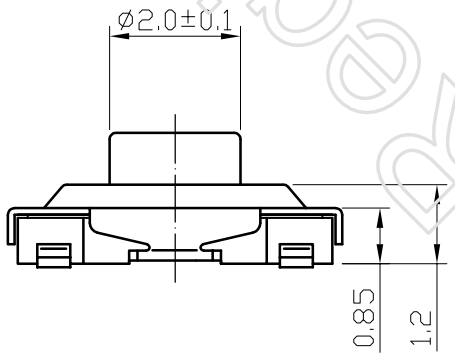
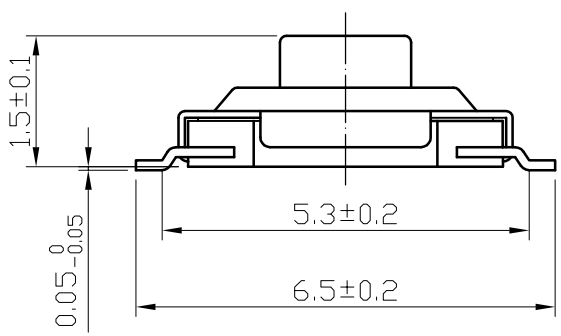
| RevNo | Revision note | Date | Signature |
|-------|---------------|------|-----------|
| | | | |
| | | | |



CIRCUIT
DIAGRAM



P.C.B LAND
DIMENSION



REFERENCE DRAWING

NOTE

1. RATING : DC 12V 50mA
2. CONTACT RESISTANCE : 100m?? MAX
3. GENERAL TOLERANCE : **±A0.3**
4. MANUFACTURING SPECIFICATION WOULD BE ACCORDANCE WITH WT0158

| | | | | | | |
|----------------|----------|--------|------------|------------|----------|---------------|
| TS-031-015-180 | | 1.5 mm | YELLOW | BLACK | 180±50gf | 50,000 Cycles |
| MODEL NO. | CODE NO. | "H" | STEM COLOR | BASE COLOR | OP/FORCE | LIFE |

| | | | | | |
|----------------------|----------------|--------------|-------|------------|---|
| Designed by L.Y.D | | 深圳市鑫南天科技有限公司 | | | |
| Checked by | | Unit | mm | | |
| Approved by | Scale | 1/1 | Date | 2011.10.14 | |
| Item | Tactile Switch | Tool | Sheet | Rev. | |
| Model | 4.0x4.0 | Drawing name | A-Cdd | 1/1 | 0 |
| Dust-Proof | | ASSEMBLY | | | |