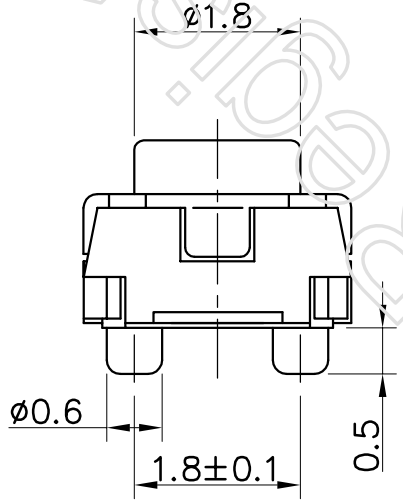
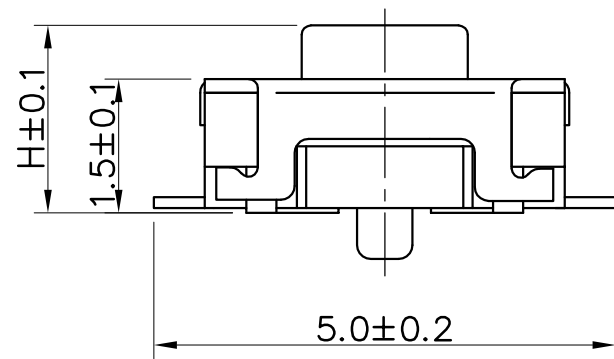
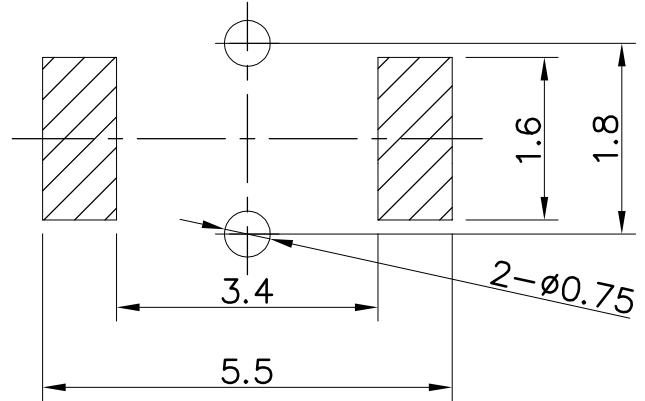
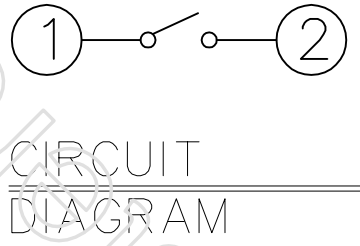
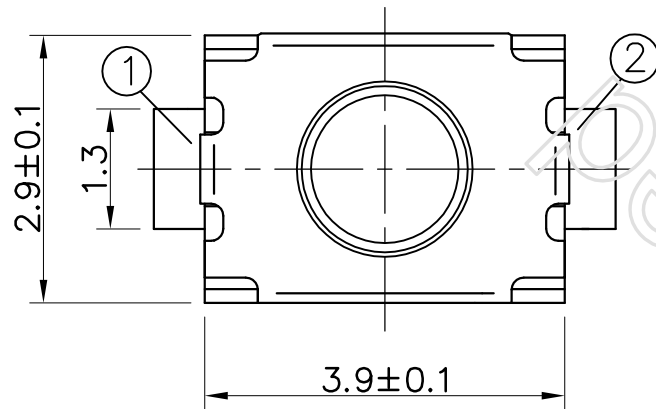


RevNo	Revision note	Date	Signature



- NOTE
1. RATING : DC 12V 50mA
 2. CONTACT RESISTANCE : 100mΩ MAX
 3. GENERAL TOLERANCE : **±A0.3**
 4. MANUFACTURING SPECIFICATION WOULD BE ACCORDANCE WITH

MODEL NO.	CODE NO.	"H"	STEM COLOR	CASE COLOR	OP/FORCE	LIFE
TS-018		2.5 mm	BLACK	BLACK	180±30gf	50,000 Cycles

Designed by Checked by Approved by	W10158 Y.D	Unit	mm	Scale	1/1	Date	2011.10.14
Item	Tactile Switch	Tool	A-Cdd	Sheet	1/1	Rev.	0
Model	2.9X3.9 Vertical Flat	Drawing name	ASSEMBLY				