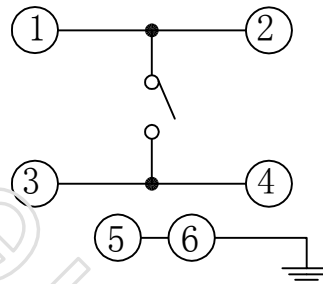
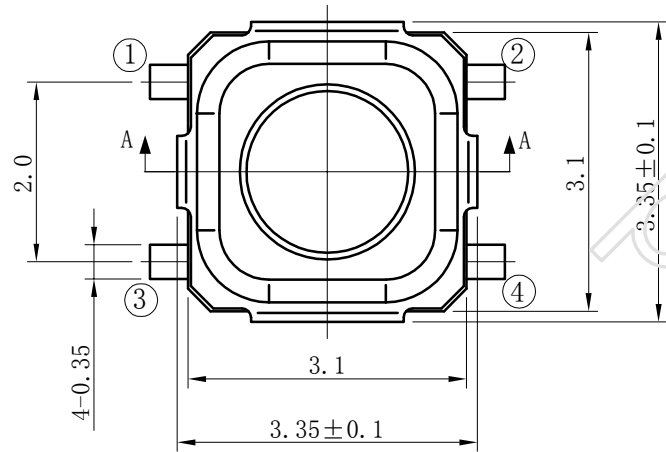
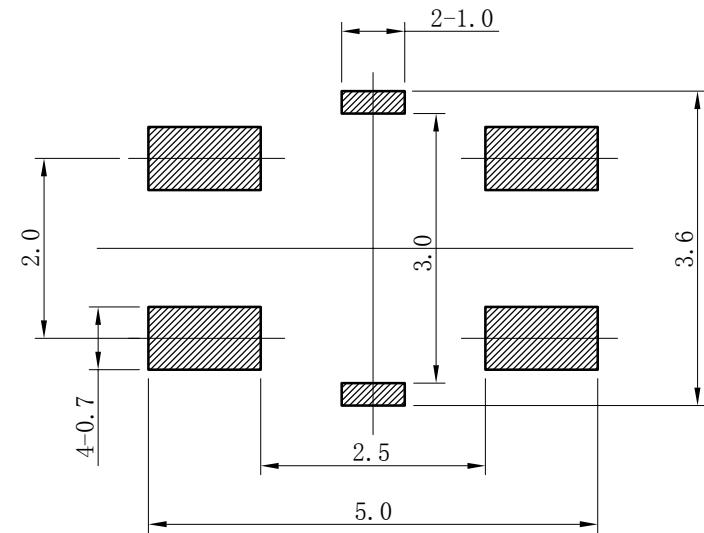


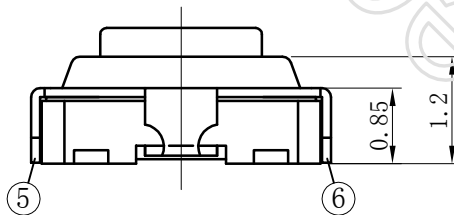
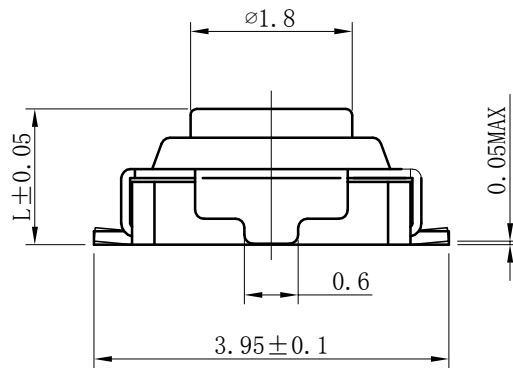
RevNo	Revision note	Date	Signature



CIRCUIT  
DIAGRAM



P.C.B LAND  
DIMENSION



REFERENCE DRAWING

**NOTE**

1. RATING : DC 12V 50mA
2. CONTACT RESISTANCE : 100m?? MAX
3. GENERAL TOLERANCE : ±0.2
4. MANUFACTURING SPECIFICATION  
WOULD BE ACCORDANCE WITH WT0158

MODEL NAME	CODE NO	"L"	STEM COLOR	CASE COLOR	O/FORCE	LIFE
TS-TVAF03		1.5 mm	black	BLACK	180±30gf	100,000 Cycles

Designed by L.Y.D		深圳市鑫南天科技有限公司 Shenzhen XinNanTian Industrial Co., Ltd	
Checked by		Unit mm	Scale 1/1
Approved by	Date 2011.10.10	Sheet 1/1	Rev. 0
Item Tactile Switch		Tool A-Cad	Rev. 0
Model 3X3 Earth Terminal Series		Drawing name TS-TVAF03	