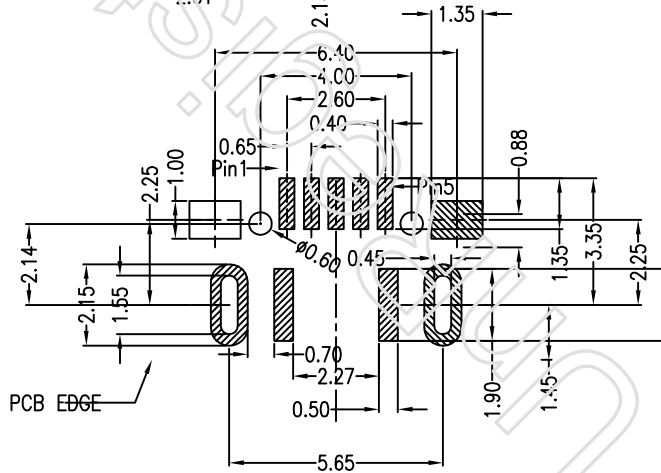
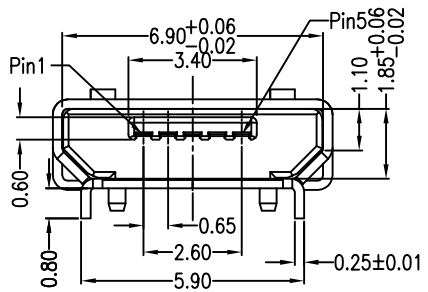
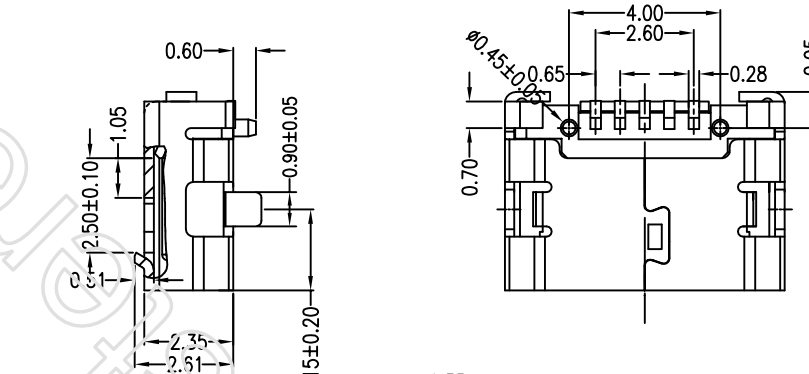
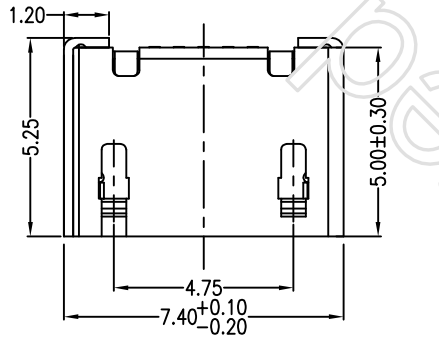
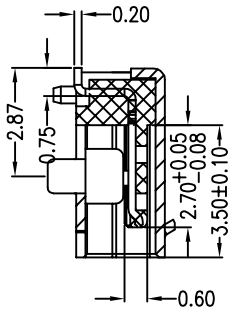
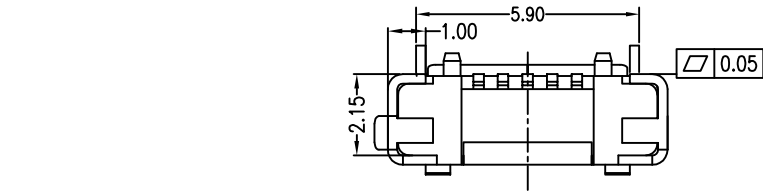


REV.	ECN NO	LOCATIONS	DESCRIPTION	DATE



Note:

1.Material:

- 1.1 Housing: High temperature thermoplastic with g.f,UL94v-0
- 1.2 Contact: copper alloy,t=0.20mm
- 1.3 Shell: copper alloy,t=0.25mm

2.Specification:

- 2.1 Current rating: 1 A Max.
- 2.2 Dielectric withstanding voltage: 100 V(ac) for 1 min.
- 2.3 Contact resistance: 50 mW Max.
- 2.4 Insulation resistance: 100 MW Min.
- 2.5 Total mating force: 3.57 Kgf Max.
- 2.6 Total unmating force: 1.0 Kgf Min.0.81~2.05 Kgf Min.
- 2.7 Temperature range: -30°C~80°C

A 01 S B 1 2 4 1 1 B 2 1-243

- ① ② ③ ④ ⑤ ⑥ ⑦ ⑧ ⑨ ⑩ ⑪ ⑫ ⑬

- ① 产品代号 A:成品
- ② 产品系列 01:micro usb 5pin
- ③ 产品类别 S:母座
- ④ 产品类型 B:B TYPE
- ⑤ 外壳材质 1:C2680R-H
- ⑥ 外壳电镀 0:素材;1: Ni100μ'';2:雾Sn100μ'';3:Ni+Au1μ''(圆);4:全Au1μ''
- ⑦ 端子材质 4:C5191R-EH 2:C2680R-EH
- ⑧ 端子电镀 0:素材;1:全Au1μ'';2:全Au1.5μ'';3:全Au3μ'';4:全Au10μ'';5:全Au15μ'';6:全Au30μ'';7:雾Sn+Au1μ'';8:雾Sn+Au3μ'';A:雾锡+Au1μ'';B:雾锡+Au1.5μ'';C:雾锡+Au3μ'';D:雾锡+Au10μ''
- ⑨ 主体材质 1:LCP
- ⑩ 主体颜色 B:黑色 W:白色
- ⑪ 包装方式 1:吸塑管;2:卷带;4:pe袋
- ⑫ 下板类型 1:dip(插板)
- ⑬ 细节流水 243:Micro usb 5s B Type Smt有焊脚插板5.9有柱

RECOMMENDED PCB LAYOUT

PART NO: A01SB12411B21-243		MATERIAL: SEE NOTE		深圳市鑫南天科技有限公司	
MODEL NO: XX		FINISH: SEE NOTE			
UNIT: MM	SIZE: A4	COLOR: SEE NOTE		TITLE: Micro usb 5s B Type Smt 有焊脚插板5.9有柱无定位	
TOLERANCE UNSPECIFIED		DR: xiayouhong		DWG NO: A243	
.x ±0.15		CHK:		REV: A	
.xx ±0.10		APP:		SCALE: 5:1	
.xxx ±0.05				DATE: 2012.05.21	
Ang ±1°					