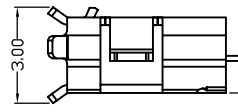
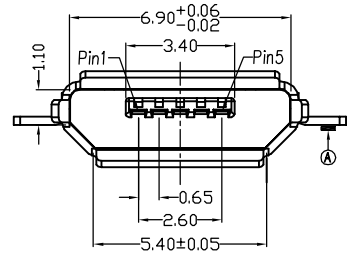
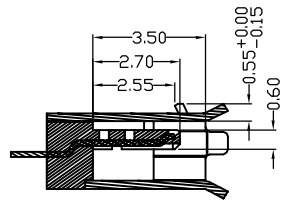
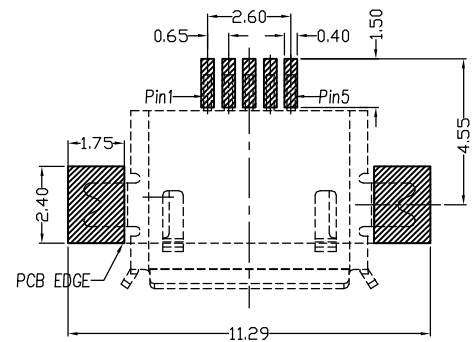
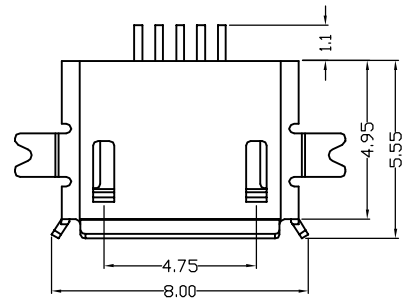
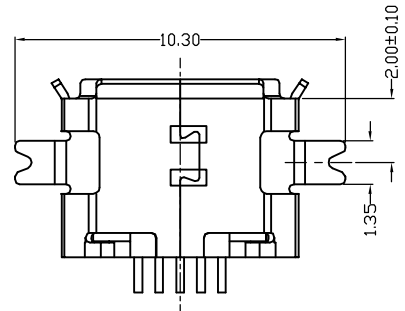
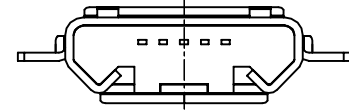


REV.	ECN NO	LOCATIONS	DESCRIPTION	DATE	REVSER	APPD



0.05 A



Note:
 1.Material:
 1.1 Housing: High temperature thermoplastic with g.f,UL94v-0
 1.2 Contact: copper alloy,t=0.20mm
 1.3 Shell: copper alloy,t=0.25mm
 2.Specification:
 2.1 Current rating: 1 A Max.
 2.2 Dielectric withstanding voltage: 100 V(ac) for 1 min.
 2.3 Contact resistance: 50 mΩ Max.
 2.4 Insulation resistance: 100 MΩ Min.
 2.5 Total mating force: 3.57 Kgf Max.
 2.6 Total unmating force: 1.0 Kgf Min.0.81~2.05 Kgf Min.after 10000 insertion/extraction cycles
 2.7 Temperature range: -30°C~80°C

Order Information:
 1-MD05SMXXX-01
 ① ② ③ ④ ⑤ ⑥ ⑦ ⑧ ⑨

1: Assy.	5: Style	7: Cotact plating	8: Shell plating
2: Series No.	M: Smt	1: 1u"	T: Tin
3: Contact No.	6: Color	2: 3u"	N: Nickel
05: 5 pos.	B: Black	3: 5u"	A: Au plated all
4: P: Plug	W: White	4: 15u"	B: None
S: Socket	N: Nature	5: 30u"	...

No.	Name	Q'ty	Finish
3	Shell	1	N/A
2	Contact	5	N/A
1	Housing	1	N/A

PART NO: 1-MD05SMXXX-01		MATERIAL: SEE NOTE
MODEL NO:		FINSH: SEE NOTE
UNIT: mm	SIZE: A4	COLOR: SEE NOTE
TOLERANCE UNSPECIFIED		DR: ???
.x	±0.38	CHK:
.xx	±0.25	APP:
.xxx	±0.13	
ANG.	±2°	

深圳市鑫南天科技有限公司
 Shen zhen Shi Xin Nan Tian Industrial Co.,Ltd

TITLE: MICRO USB 5PIN 两脚贴片 沉板 H=1.0 XNT0088

DWG NO: A055 REV: A

SCALE: 1:1 SHEET: 1/1

