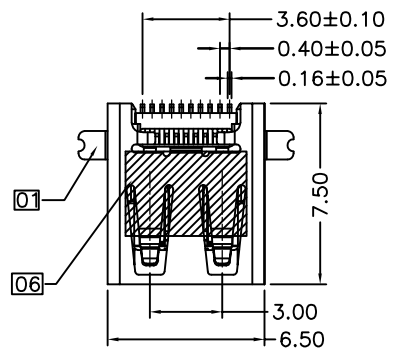


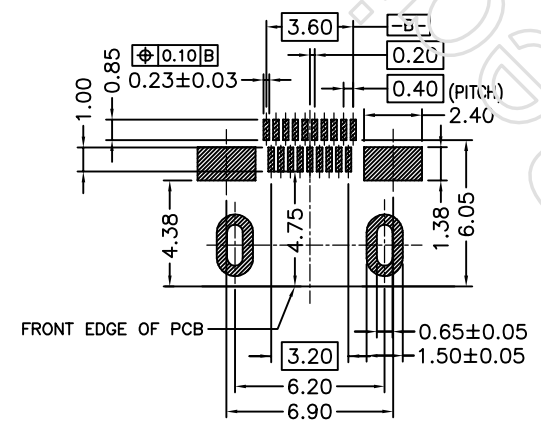
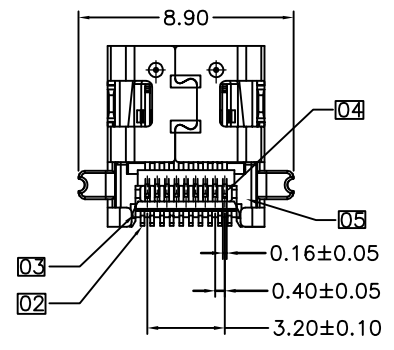
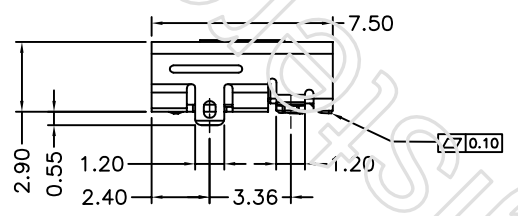
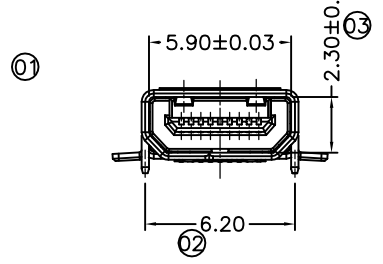
REV	DESCRIPTION	DATE



PART NO:
XNT-A151901-B-XX-X

PACKING TYPE
T:TRAY
R:TAPE & REEL
Contact Area Plating
01: Au 1u"
03: Au 3u"
05: Au 5u"
10: Au 10u"
15: Au 15u"
30: Au 30u"

NOTE:
1.MATERIAL AND FINISH SEE THE TABLE.
2.MECHANICAL CHARACTERISTICS
INSERTION FORCE: 44.1N MAX
EXTROCTION FORCE: 5N MIN(AFTER 5000 CYCLES 3N MIN.), 25N MAX.
MATING CYCLE:5000 CYCLES
3.ELECTRICAL CHARACTERISTICS
RATING CURRENT: 0.3A
RATING VOLTAGE: 40V
CONTACT RESISTANCE: 10 MILLOHMS OHMS MAX (EXCLDING CONDUCTOR RESISTANCE)
INSULATION RESISTANCE:
a, UNMATED: 100M OHMS MIN AT 500 VDC
b, MATED: 10M OHMS MIN AT 150 VDC
DIELECTRIC WITHSTANDING VOLTAGE:
a, UNMATED: 250V AC(RMS)
b, MATED: 150V AC(RMS)
4.MARKED ⊕ DIMENSION SHOULD BE MEASURED BY QIP;



RECOMMENDED PCB LAYOUT(.XX±0.05)
CONNECTOR SIDE(TOP VIEW)

NO.	NAME	MATERIAL	FINISH/COLOR	NOTE
01	SHELL	STAINLESS STEEL	MATTE TIN UNDER PLATED	t=0.30
02	10Pin TERMINAL	COPPER ALLOY	GOLD PLATING ON CONTACT AREA SEE PART NO.1u"MIN. PLATED ON SOLDER TAILS	t=0.12
03	10Pin Insert Molding	LCP+30%G.F	UL94V-0 BLACK	
04	9Pin TERMINAL	COPPER ALLOY	GOLD PLATING ON CONTACT AREA SEE PART NO.1u"MIN. PLATED ON SOLDER TAILS	t=0.12
05	9Pin Insert Molding	LCP+30%G.F	UL94V-0 BLACK	
06	MYLAR			

深圳市鑫南天科技有限公司

TITLE/品名: HDMI-D-19P-F Insertmold Shell 前插后贴

DIM TOL

PART NO/料号: XNT-A151901-B-15-R

X. ±0.40

APPROVE/核准
MICK.CHEN

CHECKED/审查
KING

DRAWING/绘图
KING

DRAWING NO/图号
A-11-1225

UNIT/单位
mm

REV/版本
A0

SHEET
1/1

PROJ.
⊕

X.X ±0.30
X.XX ±0.20
X.XXX ±0.10