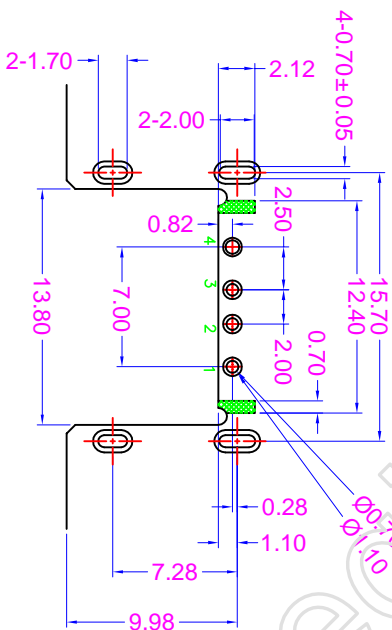
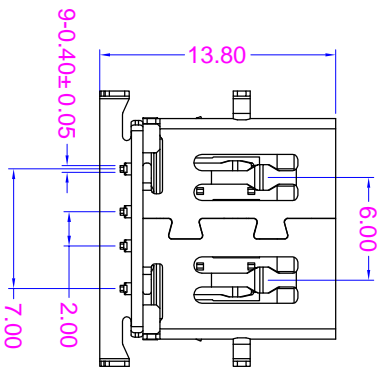
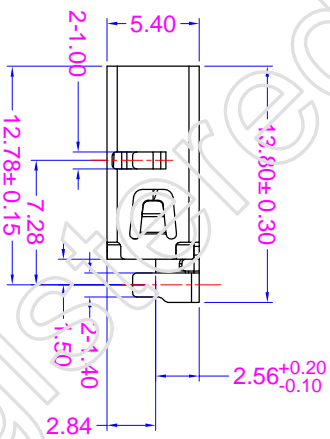
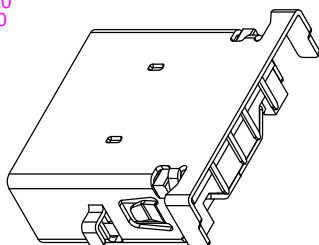
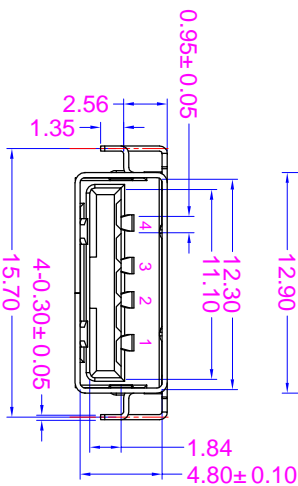
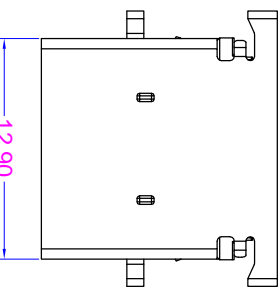


\* 所有原材料, 生产制程, 电镀必须符合ROHS要求



TOLERANCE: ±0.05, THICKNESS: 1.0~1.2mm  
RECOMMENDED PCB LAYOUT  
(TOP VIEW)  
KEEP OUT AREA

- NOTE:
- MATERIAL:
    - INSULATOR: HIGH TEMPERATURE PLASTIC UL 94 V-0;
    - CONTACT: COPPER ALLOY(T=0.2mm)
    - SHELL: SUS201(T=0.30mm)
  - ELECTRICAL CHARACTERISTICS:
    - CONTACT RESISTANCE: 30m Max
    - CONTACT CURRENT RATING: 1.5A
    - DIELECTRIC WITHSTANDING VOLTAGE: 500 V R.M.S.
    - INSULATION RESISTANCE: 100 MEGOHMS M
    - OPERATING TEMPERATURE: -40°C ~ 85°C
    - RATE VOLTAGE: 30V DC
  - MECHANICAL CHARACTERISTICS:
    - MATING FORCE: 10 N Min INITIAL; 8 N Min AFTER TEST
    - UNMATED FORCE: 35 N Max
    - DURABILITY: 5,000 CYCLES
  - PLATING
    - TERMINAL CONTACT: GOLD PLATING ALL OVER 50u" MIN NICKEL AND 80u" MIN Matte Tin NICKEL IN SOLDER AREA(SEE TAB)
    - SHELL: 50u" MIN. NICKEL ALL OVER

Pin #	SIGNAL NAME	DESCRIPTION	MATING SEQUENCE
1	VBUS	POWER	SECOND
2	D-	USB 2.0 DIFFERENTIAL PAIR	THIRD
3	D+		
4	GND	GROUND FOR POWER RETURN	SECOND
Shell	Shield	CONNECTOR METAL SHELL	FIRST

**深圳市鑫南天科技有限公司**  
Shen zhen Shi Xin Nan Tian Industrial Co., Ltd



DIMENSIONS IN: mm  
UNLESS OTHERWISE SPECIFIABLE

DIMENSION	TOLERANCE
X, X.0	±10°
X.X	±0.30 X.X°
X.XX	±0.20 X.XX°
X.XXX	±0.15

PRODUCT NAME :  
USB A TYPE 2.0 4PIN DIP 外壳回脚全插  
规格: 深度2.84 板上2.96 平口

PRODUCT NO. :  
USBA20-0B284PK

DRAWING NO. :  
XNT-USB20-4P-005

DRAWING: COCO  
DATE: 2008/08/08

CHECK: JANY  
DATE: 2008/08/08

APPROVED: JEFF  
DATE: 2008/08/08

SCALE: 1:1  
DWG ID: P D  
REV: B  
PAGE: 1 of 1

REVISION NO.	EGR NO.	DESCRIPTION	MARK	DATE
1				
2				