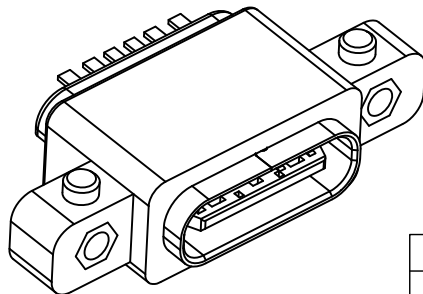
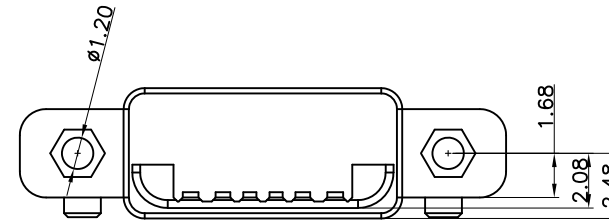
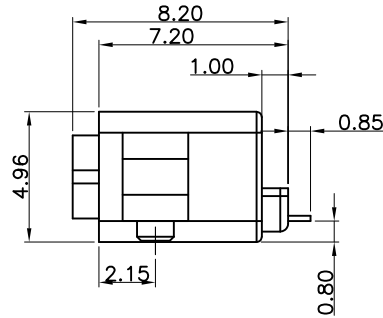
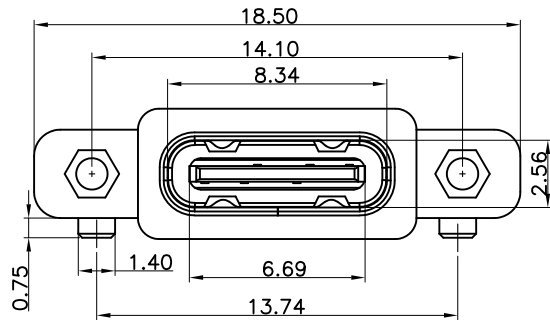
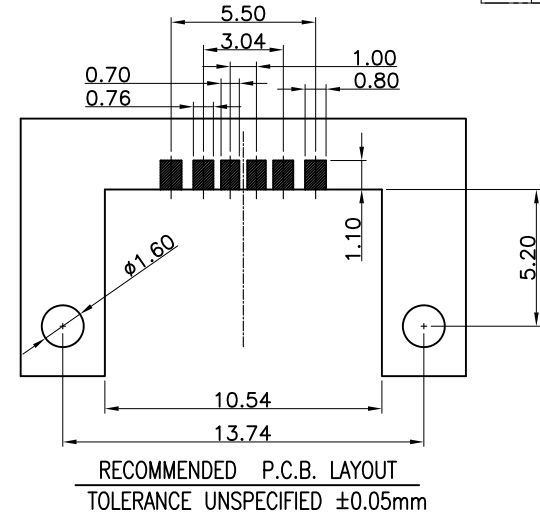
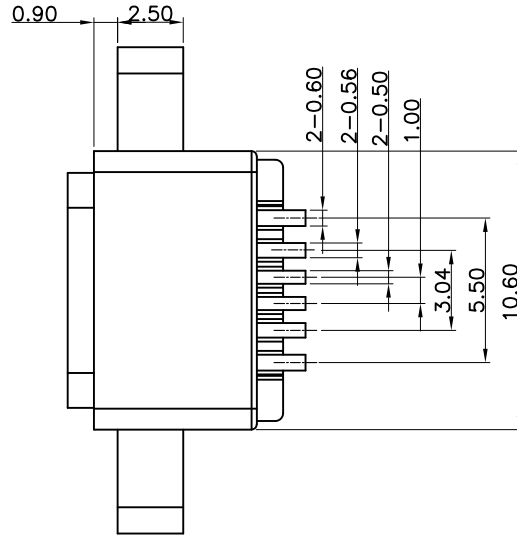


REV.	ECN. NO.	APPD.

NOTES:

SPECIFICATION:

1. CURRENT RATING: 3.0A MAX
2. VOLTAGE: 100 VAC
3. TEMPERATURE RANGE: -30 °C ~ 85 °C
4. CONTACT RESISTANCE: 40 MILLIONHM MAX
5. INSULATION RESISTANCE: 100 MEGOHMS MIN.
6. LNSERTION FORCE : 5N~20N
7. UNMATING FORCE: 8N~20N
8. DURABILITY: 10,000 CYCLES
9. TAPE REEL, 700PCS/REEL, 7000pcs/Carton



A5	CC1	B12	GND
A9	VBUS	B9	VBUS
A12	GND	B5	CC2
PIN	SIGNAL NAME	PIN	SIGNAL NAME

5	防水圈	硅胶	BLACK	1PCS
4	SHELL	STAINLESS STEEL	NI Plated	1PCS
3	SHIELDING PLATE	STAINLESS STEEL	NI Plated	1PCS
2	CONTACT	COPPER ALLOY	TIN/Au/NI Plated	1SET
1	HOUSING	HIGH TEMPERATURE PLASTIC	BLACK	1PCS
NO.	DESCRIPTION	MATERIAL	REMARKS	QTY

X. ±0.50	X.° ±2°	UNITS mm	深圳市鑫南天科技有限公司 XinNanTian Industry co.,LTD			
.X ±0.30	.X° ±1°					
.XX ±0.20	.XX° ±0.5°	MAT'L	PART NO.	TITLE:		
.XXX ±0.05			XNTUSBC-0016IPX6-00	USB TYPE C 四脚沉板式带锁 防水型插座 USB TYPE C Sinking type waterproof		
		FINISH	APPD: RADOM	DWG NO.:		
		Q'TY	CHKD: MARK	XNTUSBC-0016IPX6-00		
		DR: Steven.Rao 2018/08/08				
				SCALE	SHEET	REV.
				1/1	1/1	A1