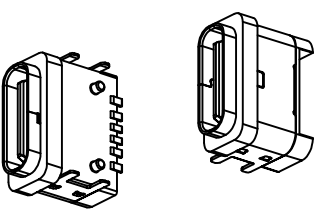
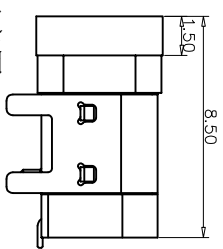
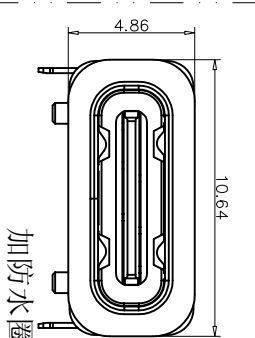
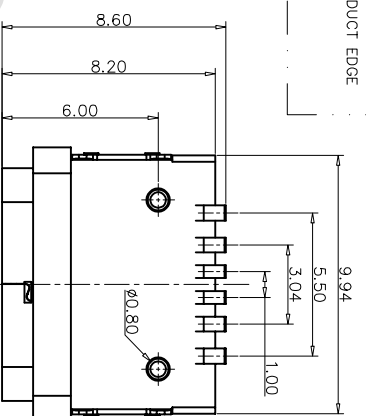
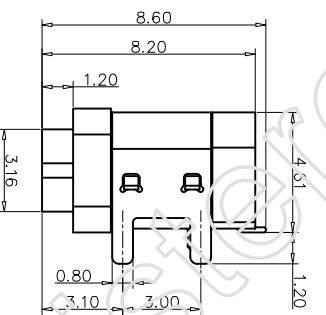


RECOMMEND P.C.B LAYOUT (COMPONENT SIDE)
TOLERANCE FOR PCB LAYOUT IS ± 0.05



NOTES:

- SPECIFICATION:
 1. CURRENT RATING: 3.0A MAX
 2. VOLTAGE: 100 VAC
 3. TEMPERATURE RANGE: -30°C-+85°C
 4. CONTACT RESISTANCE: 40 MILLIONHM MAX
 5. INSULATION RESISTANCE: 100 MEGOHMS MIN
 6. INSERTION FORCE: 5N-20N
 7. UNMATING FORCE: 8N-20N
 8. DURABILITY: 10000 CYCLES
 9. WATER PROOFNESS: THIS PRODUCTS BASED ON IPX7.

TABLE:

NO	PART	QTY	Material
1	SHELL	1	STAINLESS STEEL,NI PLATED
2	CONTACT	6	COPPER STEEL,TIN/AU/NI PLATED
3	MID PLATE	1	STAINLESS STEEL,NO PLATING
4	IND HOUSING	1	HIGH TEMPERATURE RESISTANT PLASTIC BLACK UL94 V-0
5	2ND HOUSING	1	HIGH TEMPERATURE RESISTANT PLASTIC BLACK UL94 V-0
6	SHIELDING PLATE	1	STAINLESS STEEL,NI PLATED

PIN ASSIGNMENT:

PIN NO	A1&B12	A4&B9	A5	A5	A9&B4	A12&B1
SIGNAL NAME	GND	VBUS	CC1	CC2	VBUS	GND
PCB PAD NO.	C1	C2	C3	C4	C5	C6

XNT 深圳市鑫南天科技有限公司
Shenzhen XinNanTian Technology Co., Ltd

品名 (ITEM NO) TYPE C 6P 板上防水母座 (外壳4脚插板, 端子SMD)
料号 (PART NO) XNT-PTCFW-X22B
图号 (DWG NO) P-TCF-008

页码 (SHEET)	1/1	单位 (UNIT)	MM
版本 (REV)	A0	比例 (SCALE)	1:1
日期 (DATE)	2019.12.25	设计 (DESIGN)	LSW
审核 (CHECKED)	LSW	未注公差	TOLERANCE UNSPECIFIED
核准 (APPROVED)	Jeff		± 0.30
			± 0.20
			± 0.10
			$\pm 5^\circ$
			$\pm 2^\circ$