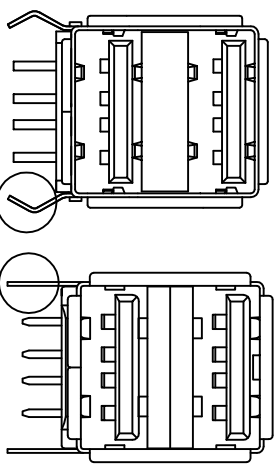
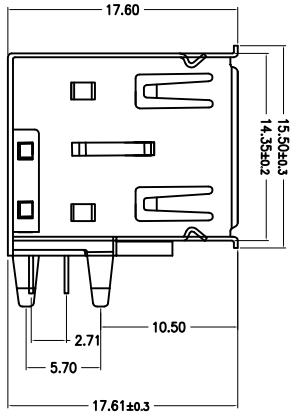
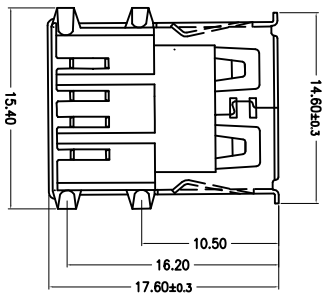
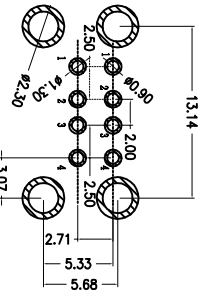


* 所有原料材质, 生产制程, 电镀必须符合ROHS要求

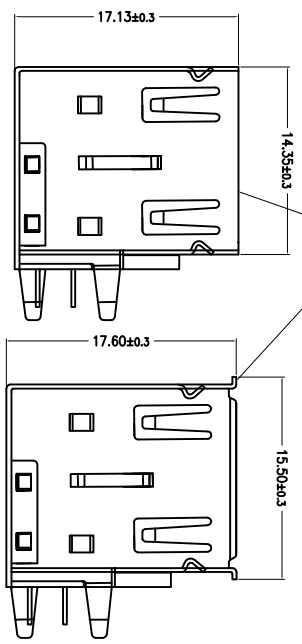


弯脚与直脚区别

卷边与平口区别



P.C.B PATTBRN LAY OUT

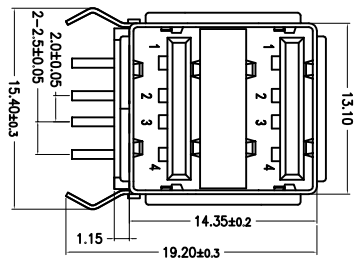


MATERIALS

- 1: housing: PBT+30%GlassFiber (UL94V-0)
- 2: Contact: copper alloy
- 3: shell: ferroalloy/copper alloy

SPECIFICATIONS

- 1: contact current rating: 1.5A max. Per pin
- 2: voltage rating: 30V AC/DC.
- 3: contact Resistance: 30m Ω max
- 4: Insulation Resistance: 1000 M Ω min. AT DC 500V



Pin #	SIGNAL NAME	DESCRIPTION	MATING SEQUENCE
1	VBUS	POWER	SECOND
2	D-	USB 2.0 DIFFERENTIAL PAIR	THIRD
3	D+		
4	GND	GROUND FOR POWER RETURN	SECOND
Shield	Shield	CONNECTOR METAL SHIELD	PRIST



深圳市鑫南天科技有限公司
Shen zhen Shi Xin Nan Tian Industrial Co., Ltd

DIMENSIONS INT: mm
UNLESS OTHERWISE SPECIFIABLE

X	±0.3	X°	±5°
.X	±0.2	.X°	±2°
.XX	±0.15	.XX°	±1°
.XXX	±0.05	.XXX°	±0.5°

PRODUCT NAME: USB A DIP 板上插座 外壳/端子 金属卷边/平口/弯脚/直脚
PRODUCT NO.: XNT-USBAFX-X-D1P

DRAWING NO.: XNTUSBFX-002

SCALE: 1:1

XNT-USBAFX-X-D1P

- A=外壳直脚
- 弯脚
- 外壳弯脚
- A=卷边
- B=平口
- A=白胶
- B=黑胶

CHECK: COCO
DATE: 2008/12/10

APPROVED: JEFF
DATE: 2008/12/10

SCALE: 1:1

REVISION NO.	1	ECR NO.		DESCRIPTION	MARK	DATE