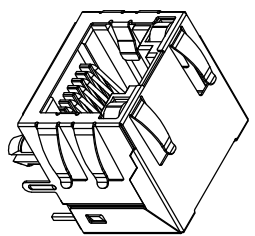
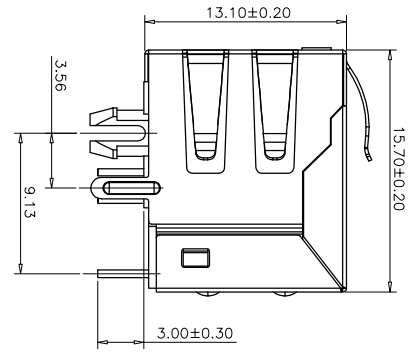
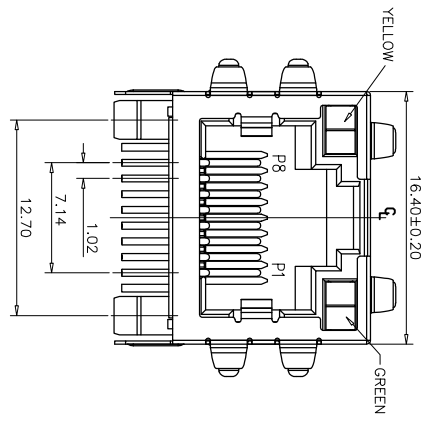


**MECHANICAL:**



**SPECIFICATION NOTES:**

**ELECTRICAL:**

- VOLTAGE RATING: 125 VAC RMS
- CURRENT RATING: 1.5 AMP
- CONTACT RESISTANCE: 30mΩ MAX.
- INSULATION RESISTANCE: 5000MΩMIN. AT 500VDC
- DIELECTRIC STRENGTH: 1000 VAC 50Hz 1MINUTE

**MECHANICAL:**

- HOUSING/INSERT MATERIAL: THERMOPLASTIC, PBT UL94V-0, COLOR BLACK
- CONTACT MATERIAL: PHOSPHOR BRONZE  $\phi 0.46$
- PLATING: GOLD PLATING OVER NICKEL, PLATED NICKEL 30-50U", SN 100-120U. GOLD PLATED ON CONTENT AREA PU/3U/6U/15U/30U"
- OPERATING LIFE: 750 CYCLES MIN.

**ENVIRONMENTAL:**

- STORAGE: -40° C TO +85° C
- OPERATION: -40° C TO +85° C

**Part Number:**  
HR5622S-1188 X X B X X-1 R

Electroplating:  
0=FU金 1=U金 2=2-SU金  
3=3U金 4=5U金 5=15U金  
6=30U金 7=50U金

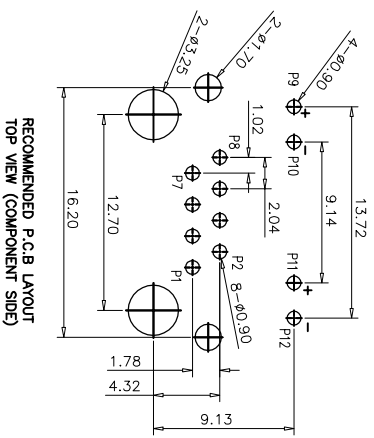
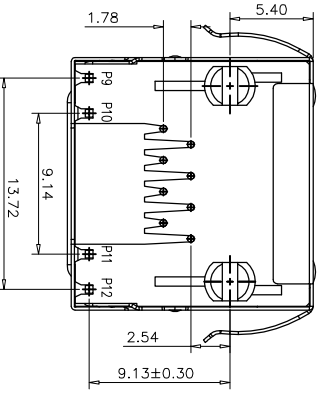
Material: 2=PA66  
3=PA66 4=PA9T 5=LCP

Colour:  
B=黑色 G=绿色 R=红色 Y=黄色  
V=紫色 W=白色 H=灰色 L=蓝色

environmental protection:  
R=RoHS Free  
H=Halogen Free  
Packing:  
1=1 Tray  
2=1 Tape Reel

LED polarity:  
1=+/+/- 2=+/-+ 3=-/+ +/+  
4=+/-+/- 5=+/- 6=+/-右边

W/OLED		RIGHT LED					
Z	YELLOW	GREEN	ORANGE	CO	GV	BLUE	
BELOW	1	2	3	4	5	6	
ABOVE	7	8	9	A	B	C	
CHANGE	D	E	F	G	H	J	
TOP	K	L	M	N	P	Q	
GV	R	S	T	U	V	W	
BLUE							



**LED ELECTRICAL CHARACTERISTIC**

LED	Wavelength	Forward V (Max)	Forward Current A	Type
Green	568nm	1.8V/2.8V	20mA	squareness
Yellow	585nm	1.8V/2.8V	20mA	squareness
Orange	610nm	1.8V/2.8V	20mA	squareness

REV	DESCRIPTION	APPD.	Date
A0	RELEASED	Peng	06/12-19

FILE NO : HR5622SF (Series)	TOLERANCE (公差): 0.000 mm ± 0.10 mm 0.00 mm ± 0.25 mm 0.0 mm ± 0.30 mm
-----------------------------	--

TITLE	Shielded RJ45 Modular Jack, Through Hole Type, with LED, 1x1Ports	UNIT	mm
PART NO.	XNT-HR5622SF-118802B	SCALE	1:1
DRAWN BY	Peng	REV.	A.0
CHECKED BY	Zhu	DATE	2019-12-06

深圳市鑫南天科技有限公司  
Shen zhen Shi Xin Nan Tian Industrial Co., Ltd